

Submitted by:		Date:
Job Name:		
Type:	Total Footage:	Color Temp:
Voltage 120/277:	Dim/Non-Dim:	

LED PODS IL-POD-3.0

PRODUCT SPECIFICATIONS

Color Rendering Index: 90

Lumen Output: 309 per Foot (1013.8 per Meter)

Circuit Type: 12V DC Parallel

Input Voltage: Maximum 13.8V

Maximum Power Consumption: 3.00 Watts per Foot
(7.20 per Meter)

POD Length: 2.45" (62.31mm)

Beam Angle: 120°

Maximum Surge Protection: (For Short Periods) up to 18V

Operating Temperature Range: -4°F to 122°F (-20°C to 50°C)

Dimming: Consistently to 1% with Innovative Lighting, Inc LED Drivers (See LED Driver Information Sheets)

Color Temperatures Available: 2500K, 2700K, 3000K, 3500K, 4000K, 5000K

IC Based Constant Current Regulator
with Temperature Compensation Circuits

Lengths from 6.0" to 240.0" (152.4mm to 6096mm)

Patent-Licensed LEDs

Total Quality-Controlled Manufacturing Process

Three-Stage Binning System

Suitable for Wet Locations.

Use Only with Class 2 Power Unit

Suitable for Cove Lighting

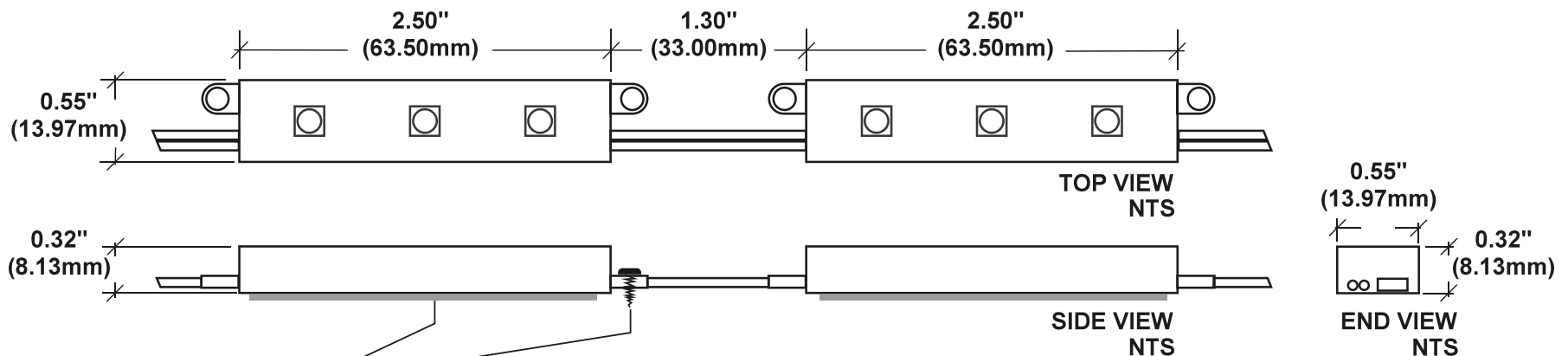
Suitable for Installation in the Storage Area of Clothes Closet

Suitable for Cabinet or Under Cabinet Use



IL-POD--3.0_CutSheet_2016-10-07.pdf

© Innovative Lighting, Inc. All rights reserved.



MOUNTING RECOMMENDATIONS

3M VHB 4910 and/or 3M 230 SEALANT and/or MECHANICAL FASTENERS

ACTUAL MOUNTING TO BE DETERMINED AND PROVIDED BY CUSTOMER